

DM Series Nd:YLF & Nd:YAG Green Nanosecond Lasers

www.photonix.com

Photonic Industries' DM Series Nd:YLF and Nd:YAG green nanosecond lasers combine remarkably high pulse energies (up to 100 mJ) or high average powers (up to 200 W) with a simple, rugged, and efficient form factor, all from one fully independent laser resonator. Dual Head configurations can go up to 200 mJ of pulse energy or up to 400 W of power. The proprietary single laser resonator design¹ ideally fulfills the needs of both research and industry, from PIV research, to providing the necessary high energy for laser thermal processing or annealing applications in an industrial, compact form factor.



¹US Patents #7,346,092 Diode side pumped high pulse energy Nd:YLF lasers, #7,082,149 High power diode side pumped solid state laser

Applications

- Particle Image Velocimetry (PIV)
High Speed Time Resolved PIV, Stereoscopic PIV, Volumetric Illumination (3D) PIV, Laser Tomography, Planar Laser Induced Fluorescence (PLIF), Interferometric Particle Imaging (IPI) Systems, Laser Light Sheet Illumination Systems
- Pumping Ti:Sapphire, Ultrafast Amplifier Systems
- High power cutting, drilling, welding, marking, patterning
- Laser Thermal Processing (LTP)
Annealing, Laser Heat-tempering Metal Marking, Laser Discoloration & Bleaching Plastic Marking
- Semiconductor Lithography Systems/Photolithography
- Water-jet Assisted Laser Cutting, Diamond Cutting Systems

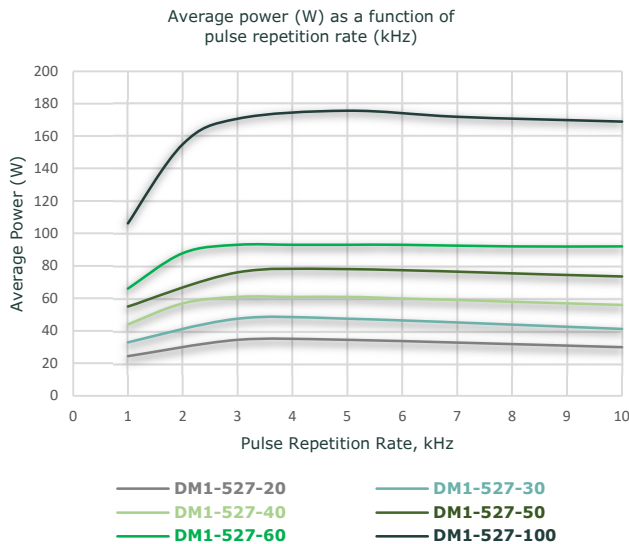
Features

- Patented highest pulse energy green laser from a single resonator:
 - Up to 100 mJ, Nd:YLF
 - Up to 200 W, Nd:YAG
- Two fully independent lasers, integrated into a Dual Head configuration available (see DM-DH Series brochure)
 - Up to 200 mJ, Nd:YLF
 - Up to 400 W, Nd:YAG
- Exceptional repetition rate control:
 - Single shot up to 10 kHz, Nd:YLF
 - 1 to 50 kHz, Nd:YAG
 - Option up to 15 kHz available for Nd:YLF
- Excellent pulse stability:
 - < 0.5% rms
- Proprietary Twin Pulse mode option:
 - Generation of pulses in pairs with a calibrated pulse energy ratio
 - Controllable pulse separation down to 1 μ s (< 1 μ s for Dual Head)
- TEM₀₀ beam option available. Contact us.
- Unmatched reliability
 - < 1% service call requests within the warranty period in the latest 24-month statistics

Specifications – **DM Series High Pulse Energy Nanosecond Lasers**, Nd:YLF GRN Models

GRN Models	DM1-527-20	DM1-527-30	DM1-527-40	DM1-527-50	DM1-527-60	DM1-527-100
Beam and output specifications						
Wavelength	527 nm					
Average power ¹	30 W at 3 kHz	45 W at 3 kHz	60 W at 3 kHz	75 W at 3 kHz	90 W at 3 kHz	150 W at 3 kHz
Pulse energy	20 mJ at 1 kHz	30 mJ at 1 kHz	40 mJ at 1 kHz	50 mJ at 1 kHz	60 mJ at 1 kHz	100 mJ at 1 kHz
Pulse width	~180 ns at 1 kHz	~170 ns at 1 kHz	~130 ns at 1 kHz	~120 ns at 1 kHz	~110 ns at 1 kHz	~100 ns at 1 kHz
Pulse repetition rate ²	Single shot to 10 kHz (option up to 15 kHz)					
Pulse-to-pulse stability ³	< 0.5% rms					
Long term power stability ⁴	< 0.5% rms					
Beam spatial mode ⁵	Multimode, M ² 10 to 16					
Beam pointing stability	< 25 μrad					
Beam divergence	9 mrad ±15%					
Beam roundness	> 85%					
Beam diameter, at exit	~5 mm, nominal					
Polarization ratio	Vertical; 100:1					
Operational specifications and system characteristics						
Interface	RS232, Ethernet, Software GUI, External TTL Triggering					
Warm-up time	< 5 minutes from standby, or cold start					
Electrical requirement	100-240 V AC			200-240 V AC		
Line frequency	50-60 Hz					
Ambient temperature	Ambient 15°C to 30°C (59°F to 86°F) Operating Range, Relative Humidity 90% Max., non-condensing					
Power consumption ⁶	0.8 kW	1 kW	1.6 kW	1.7 kW	1.8 kW	2.3 kW
Laser head Dimensions (LxWxH)	26 x 6.5 x 4.23 in					26 x 11 x 4.25 in
Power supply Dimensions (LxWxH) ⁷	15 x 10.2 x 3.5 in					
Laser head weight	49 lbs (22.2 kg)					84 lbs (38.1 kg)
Power supply weight	13.7 lbs (6.2 kg)					
Cooling system	Water-cooled					

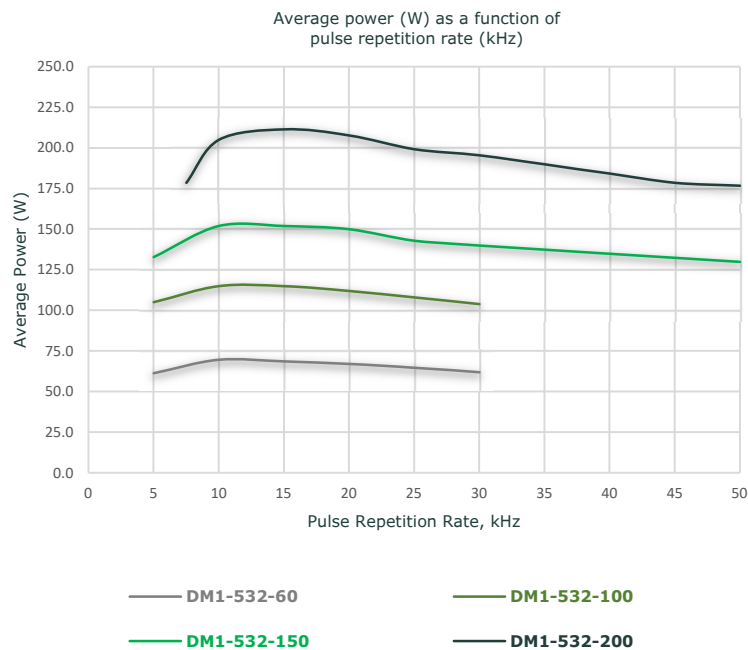
- Higher average powers available (see DM-DH Series brochure)
- Lower pulse repetition rates (down to < 1 kHz) performance achieved by pulse energy capping
- Measured at ambient temperature ± 2°C
- Measured over 8 hours ± 1°C
- TEM₀₀ beam option available (see DS Series brochure)
- Power consumption data does not include an external chiller’s power consumption
- Total width with rack mount option is 19 in. Please note height in rack units is 2U.



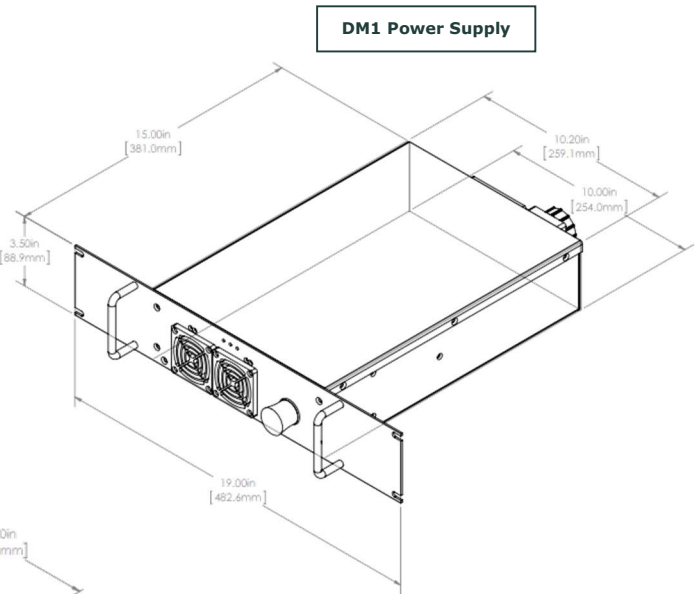
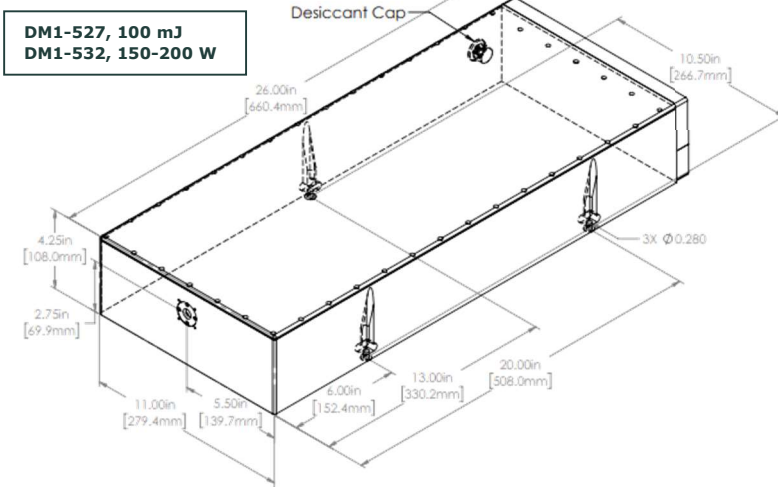
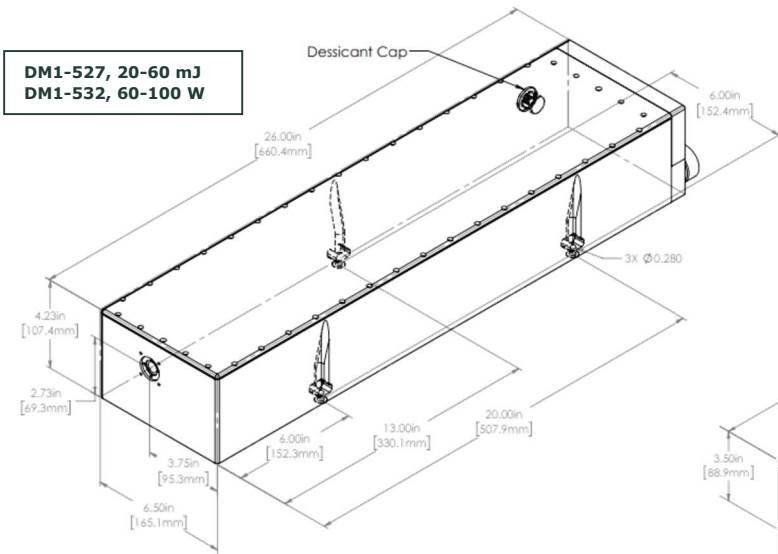
Specifications – DM Series High Power Nanosecond Lasers, Nd:YAG GRN Models

GRN Models	DM1-532-60	DM1-532-100	DM1-532-150	DM1-532-200
Beam and output specifications				
Wavelength	532 nm			
Average power ¹	60 W at 10 kHz	100 W at 10 kHz	150 W at 10 kHz	200 W at 10 kHz
Pulse energy	6 mJ at 10 kHz	10 mJ at 10 kHz	15 mJ at 10 kHz	20 mJ at 10 kHz
Pulse width	~150 ns at 10 kHz	~190 ns at 10 kHz	~200 ns at 10 kHz	~120 ns at 10 kHz
Pulse repetition rate ²	1 to 30 kHz		1 to 50 kHz	
Pulse-to-pulse stability ³	< 1% rms		< 1.5% rms	
Long term power stability ⁴	< 0.5% rms			
Beam spatial mode ⁵	Multimode, M ² ~15	Multimode, M ² 20 to 25 (option for M ² ~15)	Multimode, M ² 15 to 20	
Beam pointing stability	< 25 μrad			
Beam divergence	< 10 mrad			
Beam roundness	> 85%			
Beam diameter, at exit	~2 mm, nominal		~5 mm, nominal	
Polarization ratio	Horizontal; 100:1			
Operational specifications and system characteristics				
Interface	RS232, Ethernet, Software GUI, External TTL Triggering			
Warm-up time	< 5 minutes from standby, or cold start			
Electrical requirement	200-240 V AC			
Line frequency	50-60 Hz			
Ambient temperature	Ambient 15°C to 30°C (59°F to 86°F) Operating Range, Relative Humidity 90% Max., non-condensing			
Power consumption ⁶	1.1 kW	1.5 kW	2.1 kW	2.5 kW
Laser head Dimensions (LxWxH)	26 x 6.5 x 4.23 in		26 x 11 x 4.25 in	
Power supply Dimensions (LxWxH) ⁷	15 x 10.2 x 3.5 in			
Laser head weight	49 lbs (22.2 kg)		84 lbs (38.1 kg)	
Power supply weight	13.7 lbs (6.2 kg)			
Cooling system	Water-cooled			

- Higher average powers available (see DM-DH Series brochure)
- Lower pulse repetition rates (down to < 1 kHz) performance achieved by pulse energy capping
- Measured at ambient temperature ± 2°C
- Measured over 8 hours ± 1°C
- TEM₀₀ beam option available (see DS Series brochure)
- Power consumption data does not include an external chiller's power consumption
- Total width with rack mount option is 19 in. Please note height in rack units is 2U.



Dimensional Drawings



Photonics Industries DM Series nanosecond lasers have a separate external power supply box, no longer requiring an external controller or utility module. The RF driver is located in the laser head, and all control electronics and connections for operation and control of the laser can be found on the back panel of the compact laser head.

Product specifications, characteristics, and dimensional drawings are subject to change without notice.

Photonics Industries conforms to provisions of US 21 CFR 1040.10 & 1040.11 and is made under one or more US patents listed below: 9,531,147, 8,817,831, 7,869,471, 7,346,092, 7,082,149, 7,079,557, 6,999,483, 6,980,574, 6,961,355, 6,842,293, 6,762,405, 6,690,692, 6,587,487, 6,584,134, 6,366,596, 6,356,578, 6,327,281, 6,246,707, 6,229,829, 6,108,356, 6,061,370, 6,028,620, 5,936,983, 5,898,717 and Pending Patents

Copyright © 2022 by Photonics Industries International, Inc.

Main Headquarters: 1800 Ocean Ave, Ronkonkoma, New York 11779, United States

Photonics Industries International is the pioneer of intracavity harmonic lasers and is at the forefront of developing, manufacturing and marketing a wide range of nanosecond, sub-nanosecond, picosecond and femtosecond lasers for industrial, scientific, defense, and medical industries. Check out our products and see how we can help you apply our lasers to your needs.

[Website](#) - [Products](#) - [Applications](#) - [Company](#) - [Contact](#) - [International Network](#)

